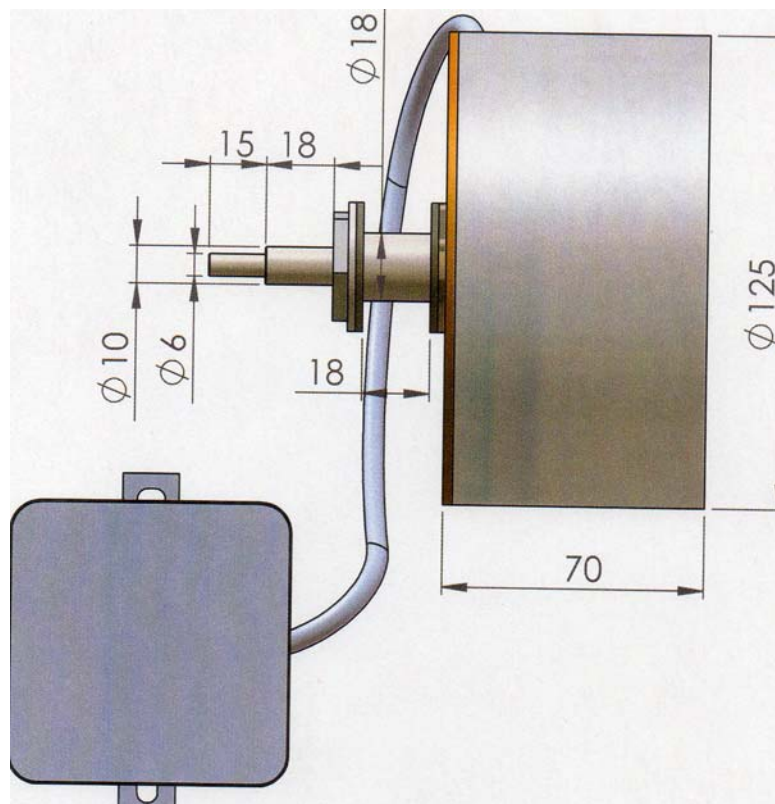




Elderhorst Bells, Inc.

I221DZR-"THIN" DIAL MOUNTED MINUTE IMPULSE TYPE CLOCK MOVEMENT

The I221DZR- dial mounted clock movement is suitable for clock sizes up to 35" diameter with unprotected hands, and up to 48" diameter for clocks with a protective crystal.



All measurements shown are in millimeters (mm)

One I221ZR-"THIN" clock drive movement for each clock will be provided. These clock movements are built in a totally maintenance free design. The movements are driven by a 120 Volt, 60 hz, high-torque motor which is activated by the impulse type clock controller at one minute intervals.

This movement is also available in a 230V/50HZ configuration