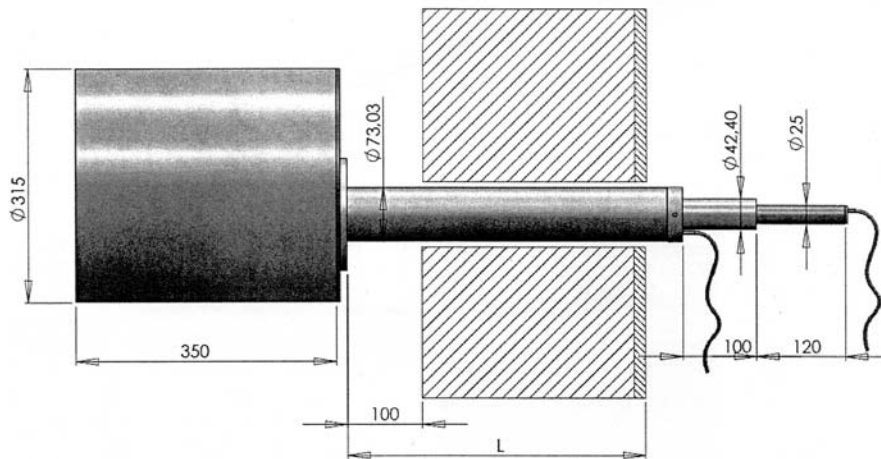
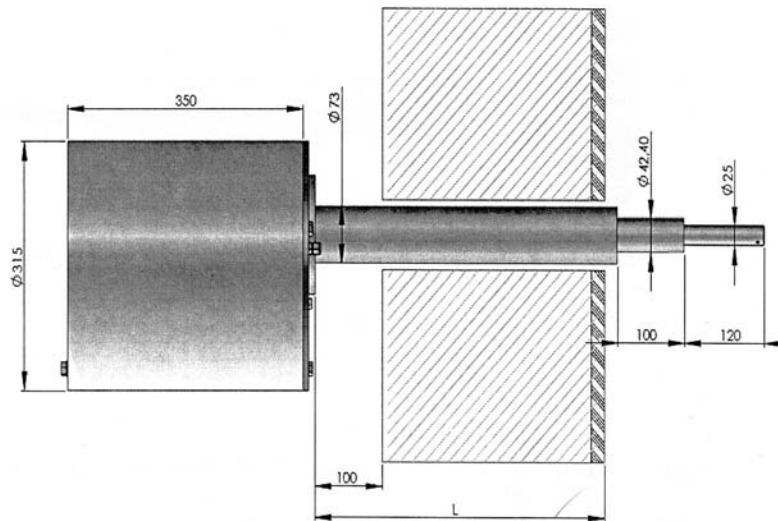




# Elderhorst Bells, Inc.

## I281 STYLE CLOCK MOVEMENT – FOR CLOCK DIAMETERS TO 4.0M (157" DIAMETER)



### I281L MOVEMENT FOR LIGHTED CLOCK HANDS

**ALL MEASUREMENTS SHOWN IN MM  
MEASUREMENT "L" DEPENDENT ON WALL THICKNESS**

One I281 clock drive movement required for each clock face. The I281 clock movements are built on a composite frame in a maintenance free design. The movements are driven by a 120 Volt, 60 hz, or 220v, 50hz high-torque motor which is activated by the impulse type clock controller at one minute intervals.

The EB-200 SERIES Clock Controller is required for clock operation and to set clock hands.