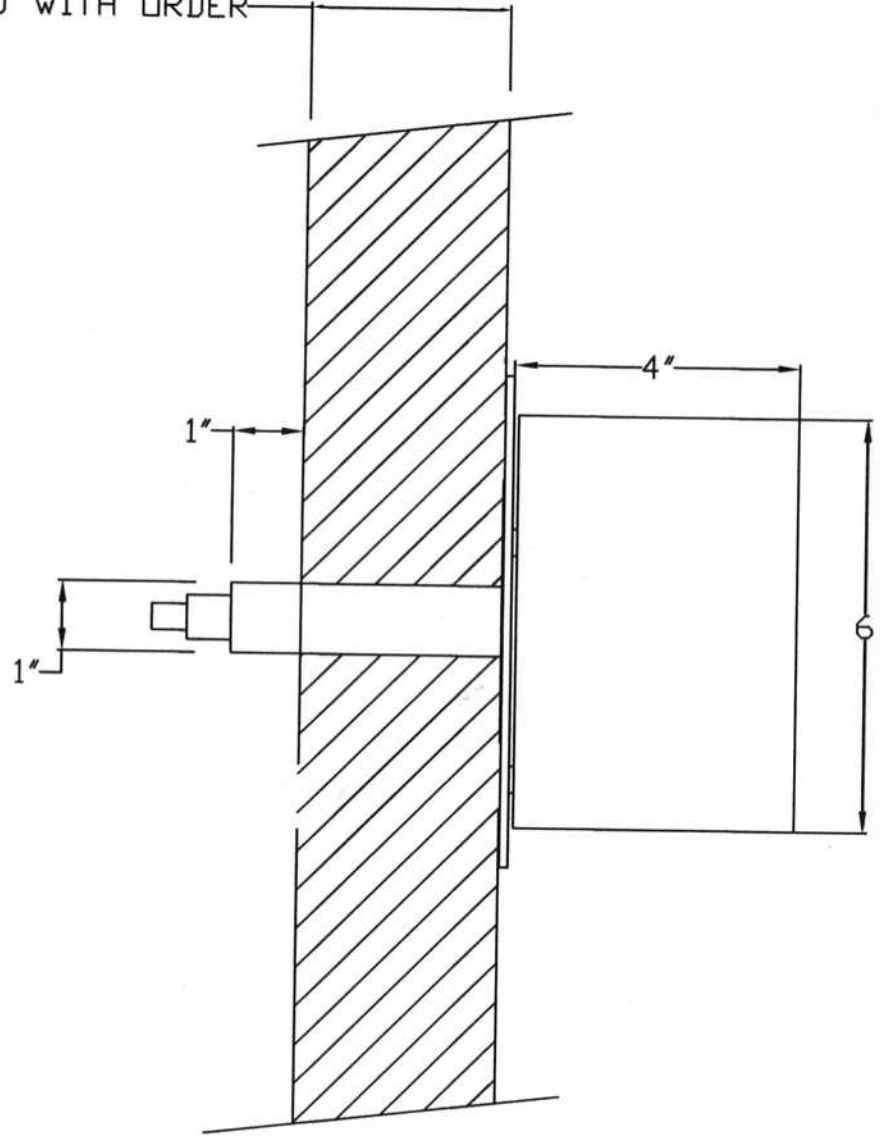
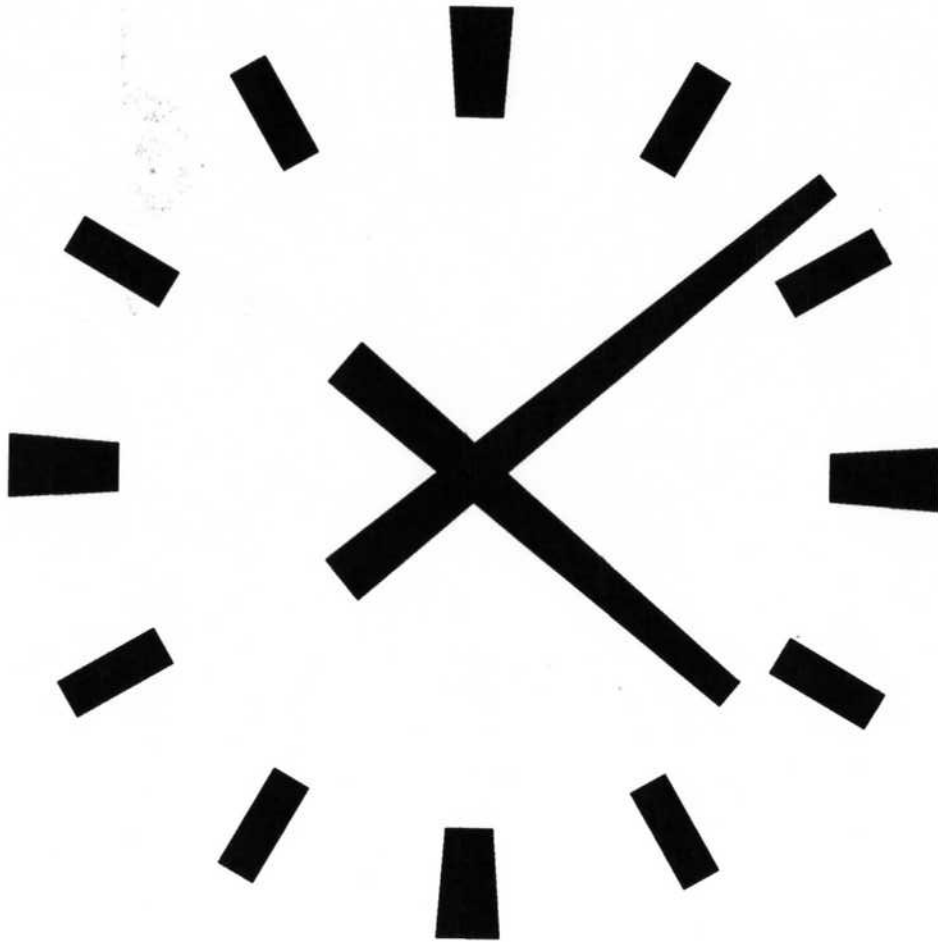


WALL THICKNESS TO BE PROVIDED WITH ORDER



EB-305 DIAL
EB-405 HANDS

39" MAXIMUM DIAMETER



Elderhorst Bells Inc.

875 Gravel Pike
Palm, PA 18070
(215)679-3264 Fax (215)679-3692

TITLE EB-106 ARBOR MOUNT SKELETON CLOCK

SCALE	DR. BY J.B.	DRAWING NO.
DATE	CH'D BY	FR-106A-SKFI