



Elderhorst Bells, Inc.

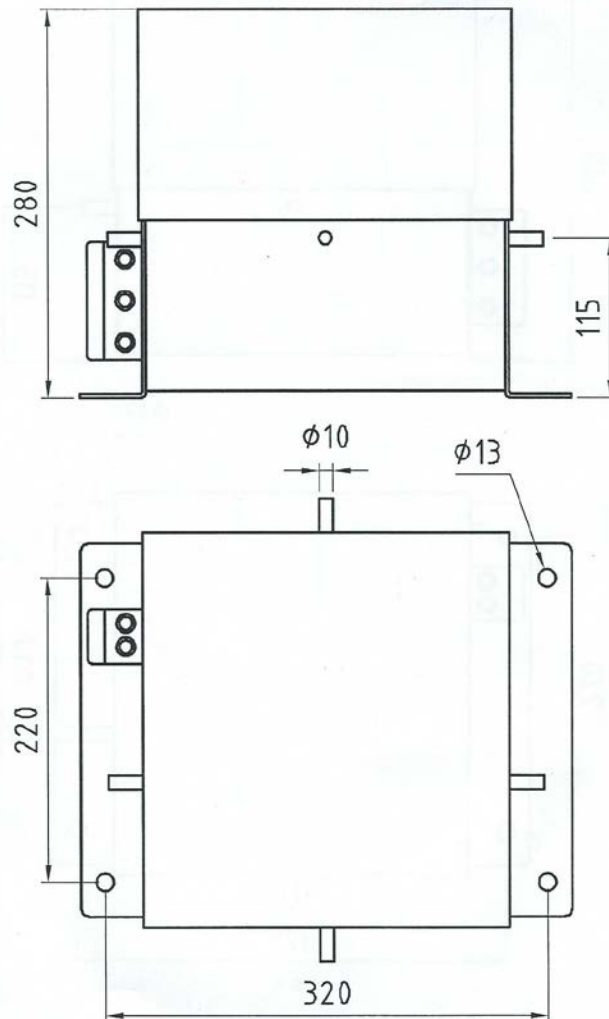


Fig. 5

I 164Z CLOCK MOVEMENT – BASE MOUNT, 4 WAY MINUTE IMPULSE CLOCK MOVEMENT

The I164Z impulse type clock drive movements feature square cut spur gears, stainless steel shafts, and bronze and nylon bearings. The clock movements are built on a steel frame in a totally maintenance free design. The movements are driven by a 120 Volt, 60 hz, high-torque motor which is activated by the impulse type clock controller at one minute intervals.

The EB-200 Series Clock Controller is required for clock operation and to set clock hands. This movement is also available in a 230V/50HZ configuration