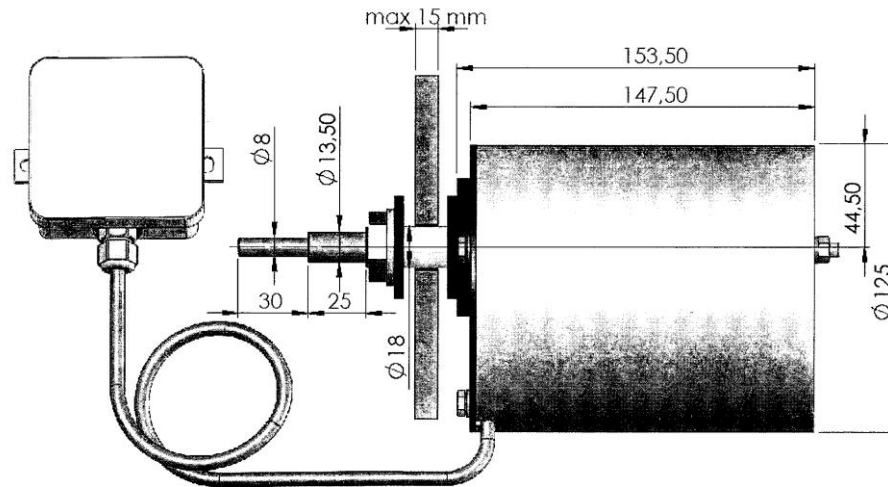




Elderhorst Bells, Inc.

I231ZR IMPULSE TYPE CLOCK MOVEMENT (SUITABLE FOR CLOCK DIALS TO 49", 1.25M)



ALL DIMENSIONS IN MM

One I231ZR DIAL MOUNT MINUTE IMPULSE type clock drive movement for each clock will be provided. The clock movements are built on a phenolic frame in a totally maintenance free design. The movements are driven by a 120 Volt, 60 hz, high-torque motor which is activated by the impulse type clock controller at one minute intervals.

The EB-200 Series Clock Controller is required for clock operation and to set clock hands.

This movement is also available with an extended threaded arbor- advise arbor length, or wall thickness – contact Elderhorst Bells, Inc.

This movement is also available in a 230V/50HZ configuration