

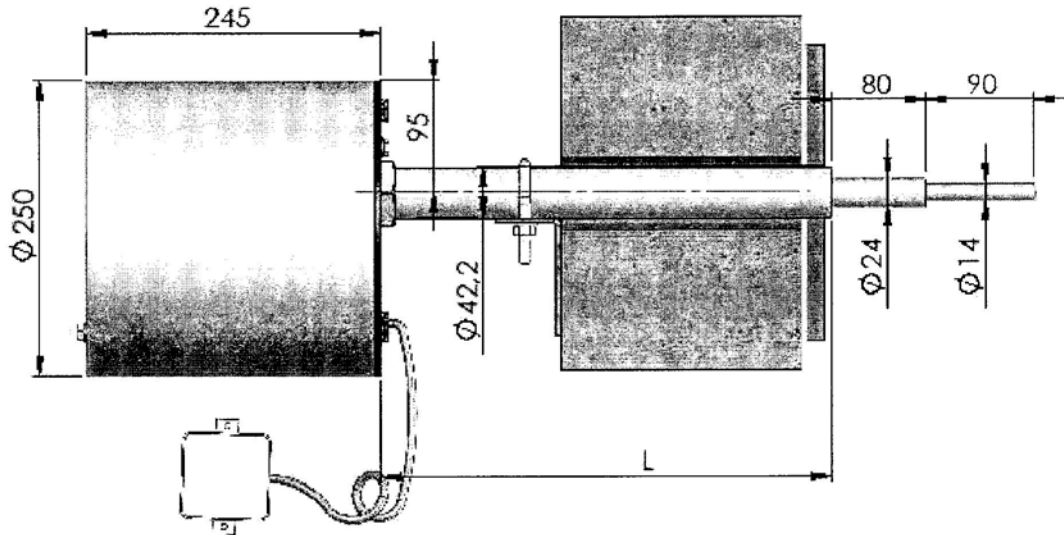


Elderhorst Bells, Inc.

I271Z__ CLOCK MOVEMENT

(SUITABLE FOR EXTERIOR CLOCKS TO 96" DIAMETER)

I271Z__ MOVEMENT



DIMENSION "L" DEPENDENT ON WALL THICKNESS

ALL MEASUREMENTS IN MM

One I271 clock drive movement required for each clock face. The movements are driven by a 120 Volt, 60 hz, (230V available) high-torque motor which is activated by the impulse type clock controller at one minute intervals.

The EB-200 SERIES Clock Controller is required for clock operation and to set clock hands.