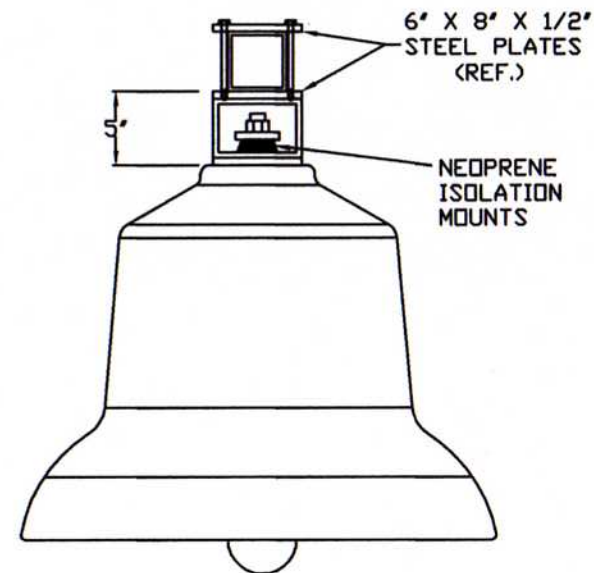



FRONT VIEW



SIDE VIEW

MEASUREMENTS DEPEND ON
APPLICATION/BELL SIZE

	Elderhorst Bells Inc. 875 Gravel Pike Palm, PA 18070 (215)679-3264 Fax (215)679-3892	
	TITLE STATIONARY MOUNT BELL W/ ISOLATION MOUNTS	
SCALE	DR. BY J.B.	DRAWING NO.