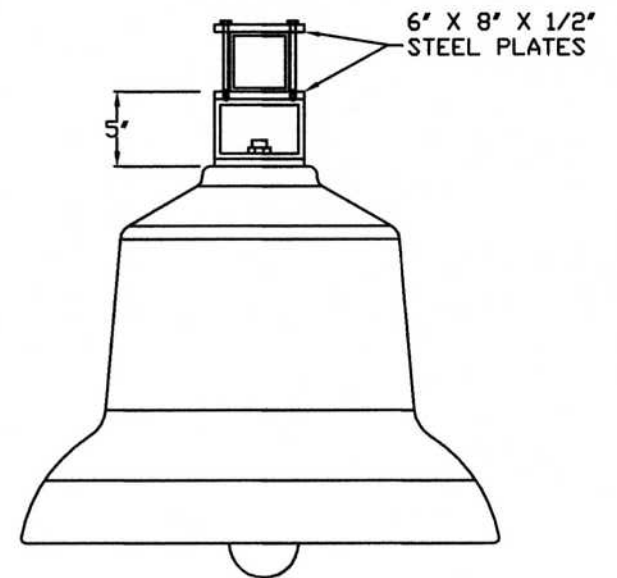


FRONT VIEW



SIDE VIEW

MEASUREMENTS DEPEND ON
APPLICATION/BELL SIZE



Elderhorst Bells Inc.

875 Gravel Pike

Palm, PA 18070

(215)679-3264 Fax (215)679-3692

TITLE

STATIONARY MOUNT BELL

SCALE

DR. BY J.B.

DRAWING NO.