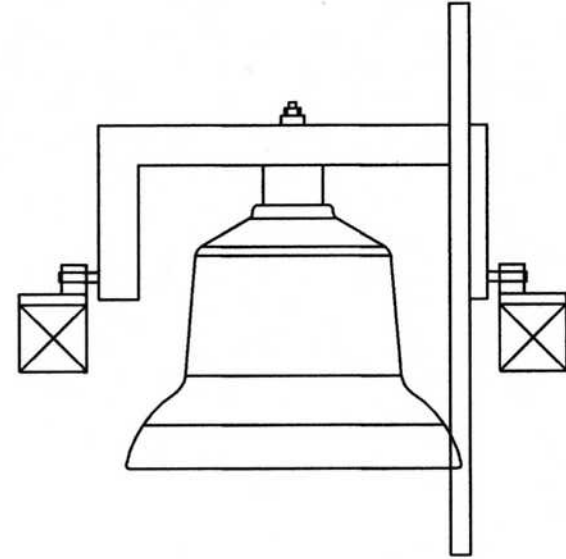


SIDE VIEW



FRONT VIEW



**Elderhorst Bells Inc.**

875 Gravel Pike

Palm, PA 18070

(215)679-3264 Fax (215)679-3692

TITLE SWINGING BELL NO "A" FRAMES  
ON HORIZONTAL SUPPORTS

SCALE

DR. BY

DRAWING NO.